

**SYNCHRO LIFT**

**SYL 5000 TS**

**English**

Address - Delta Electronics  
Svetog Save BB, Pbox 81  
37240 Trstenik, Serbia

Ph / fax - + 381 37 715 422

Ph - + 381 37 715 423

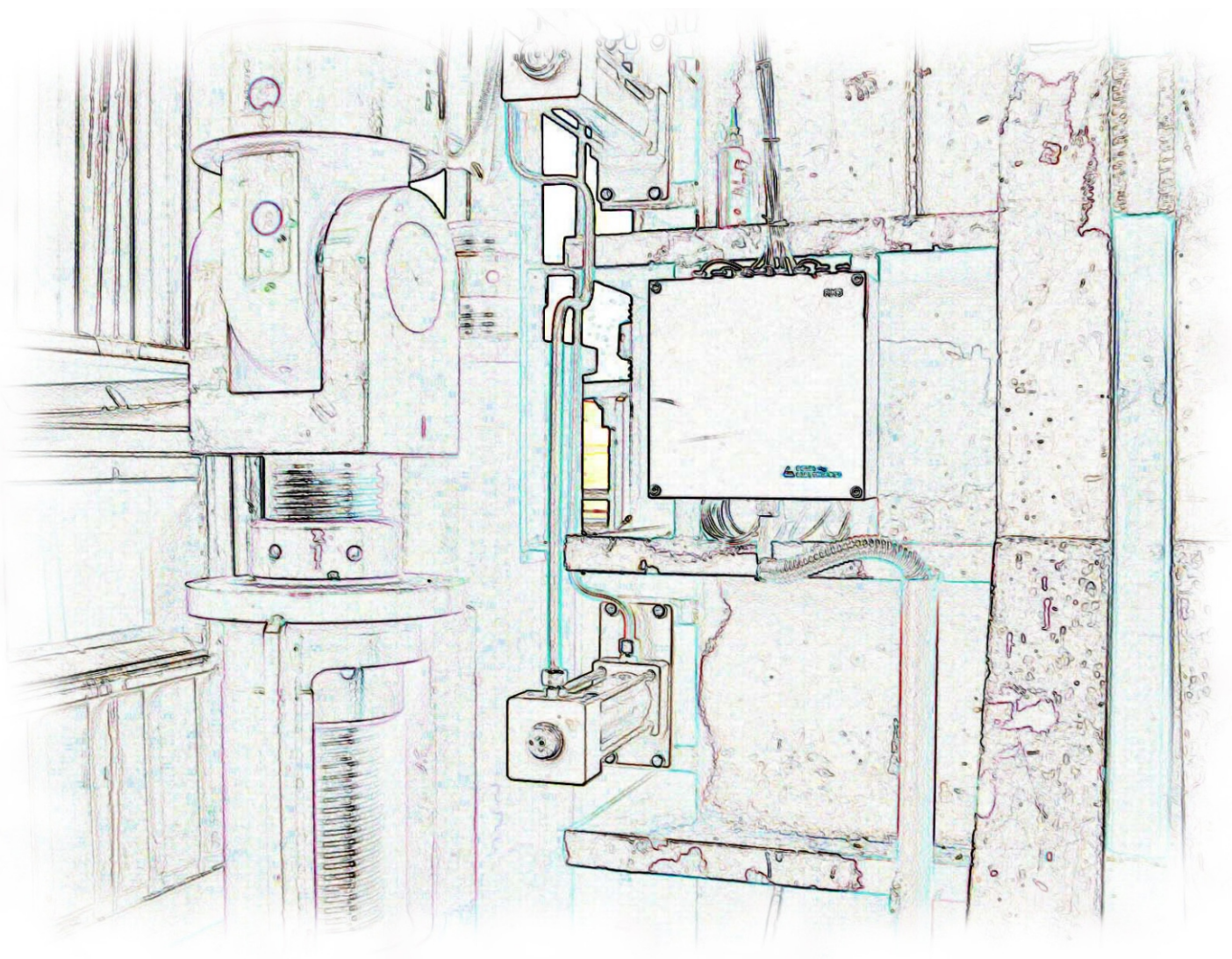
Email - [office@deltael.com](mailto:office@deltael.com)

Director - Strahinja Golubović

Web - [www.deltael.com](http://www.deltael.com)

# CONTENT

Synchro Lift SYL 5000 TS	pg 3
Electro Hydraulic Power Pack DE 50.A2	pg 4
Cylinder DE 50.C300	pg 5
Control Unit DE 50.CP16	pg 6
Electrical Power Unit DE 50.E0	pg 7

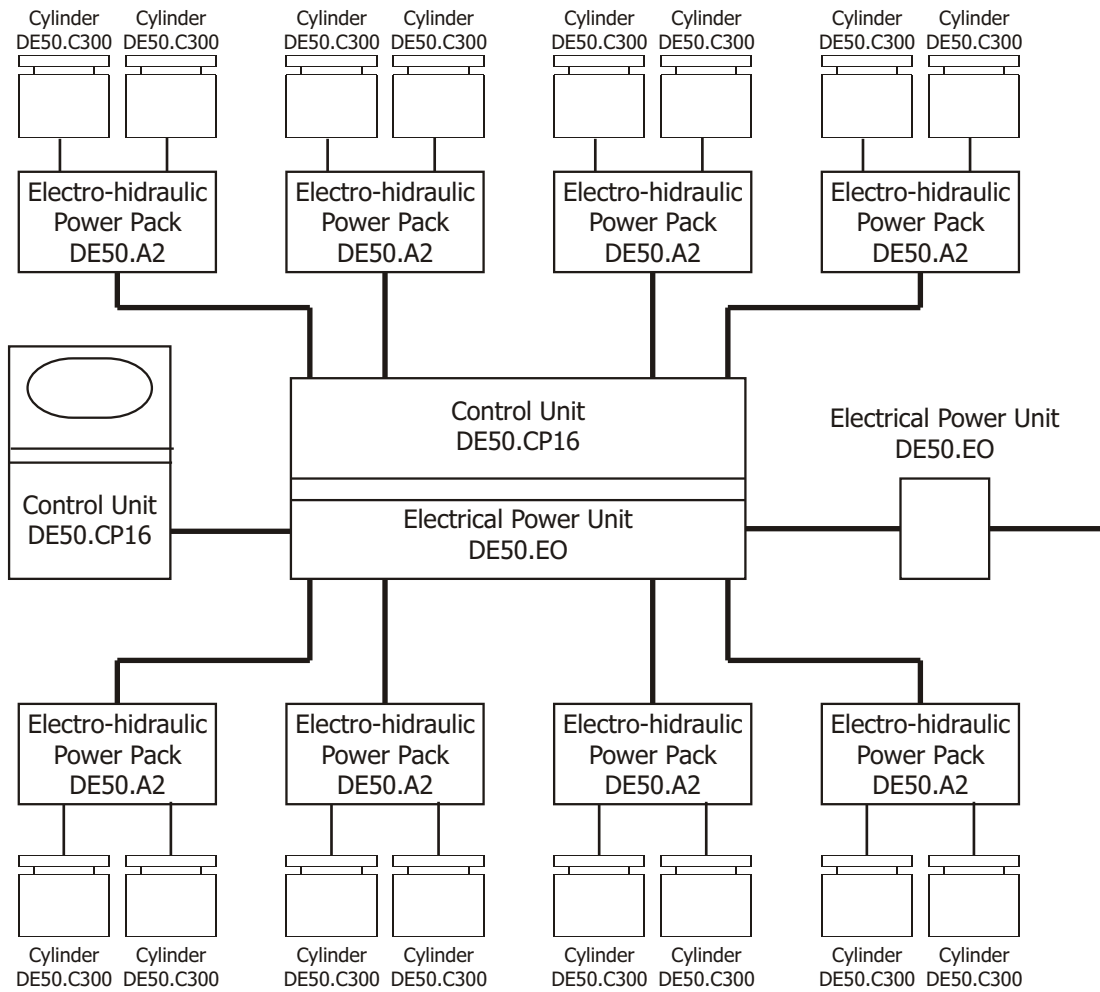


Address - Delta Electronics  
Svetog Save BB, Pbox 81  
37240 Trstenik, Serbia

Ph / fax - + 381 37 715 422  
Ph - + 381 37 715 423  
Email - office@deltael.com  
Director - Strahinja Golubović  
Web - www.deltael.com

# Synchro Lift SYL 5000TS

- Lifting weight (max): 5000 T
- No of channels: 16
- Lifting speed (max): 1.16 mm/s
- Operating pressure: 300 bar
- Power: 110 kW
- Ambient temperature: -20...+40 °C

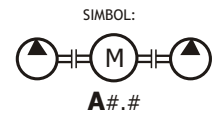
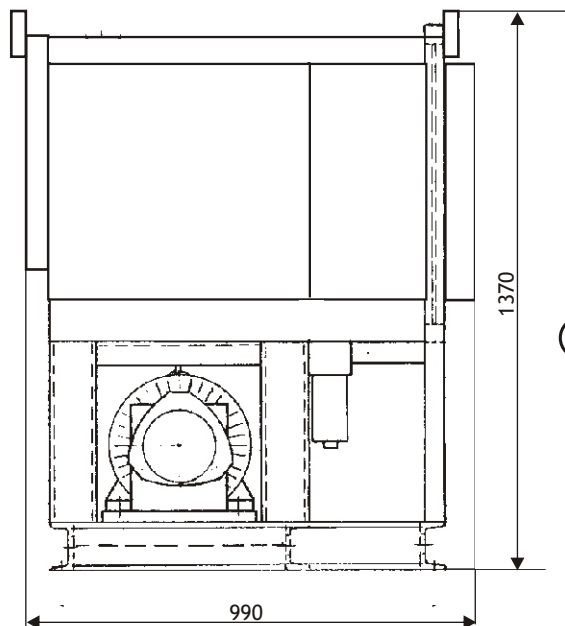
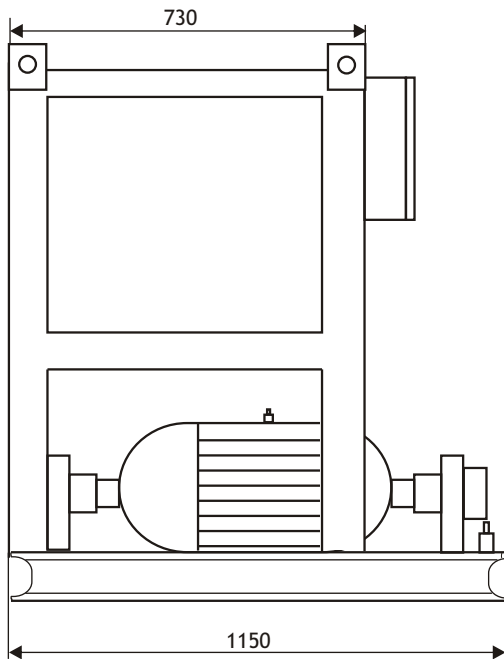
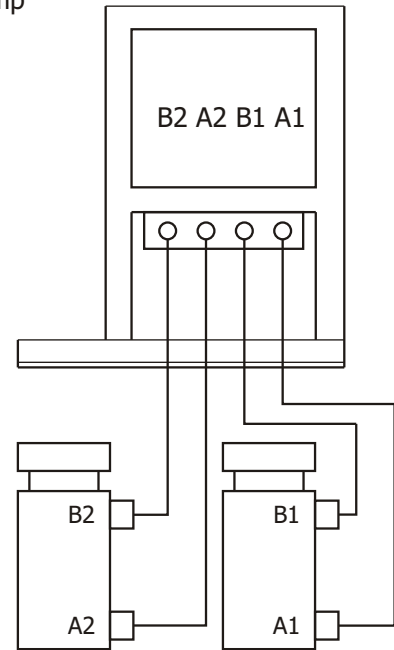


Address - Delta Electronics  
 Svetog Save BB, Pbox 81  
 37240 Trstenik, Serbia  
 Ph / fax - + 381 37 715 422  
 Ph - + 381 37 715 423  
 Email - office@deltael.com  
 Director - Strahinja Golubović  
 Web - www.deltael.com

# Electro Hydraulic Power Pack DE50.A2



- Power supply: 3x380Vac, ± 5%, 15.5 KW
- Hydraulic pumps: 2xRadial piston pumps + 1xHand pump
- Radial piston pump:  $q=4.82 \text{ cm}^3/r$ ,  $P_{\text{max}}=500 \text{ bar}$
- Hand pump:  $P_{\text{max}}=630 \text{ bar}$
- Electrical motor:  $N_{\text{em}}=11\text{KW}$ ,  $n=1450 \text{ min}^{-1} \text{ (rpm)}$
- Hydraulic oil: HIDO HV 22
- Oil tank:  $V=150 \text{ l}$
- Indicators: 3xP (0...600bar)
- Alarms: Level of oil, Temperature, Filters
- Heaters: 2x2000W, thermo regulation
- Hydraulic connection: M22x1.5 (A1, A2, B1, B2)
- Ambient temperature:  $-20...+40 \text{ }^\circ\text{C}$
- Dimensions: 1150x990x1370 mm
- Weight: 550Kg



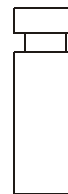
Address - Delta Electronics  
Svetog Save BB, Pbox 81  
37240 Trstenik, Serbia  
Ph / fax - + 381 37 715 422  
Ph - + 381 37 715 423  
Email - office@deltael.com  
Director - Strahinja Golubović  
Web - www.deltael.com

# Cylinder DE50.C300

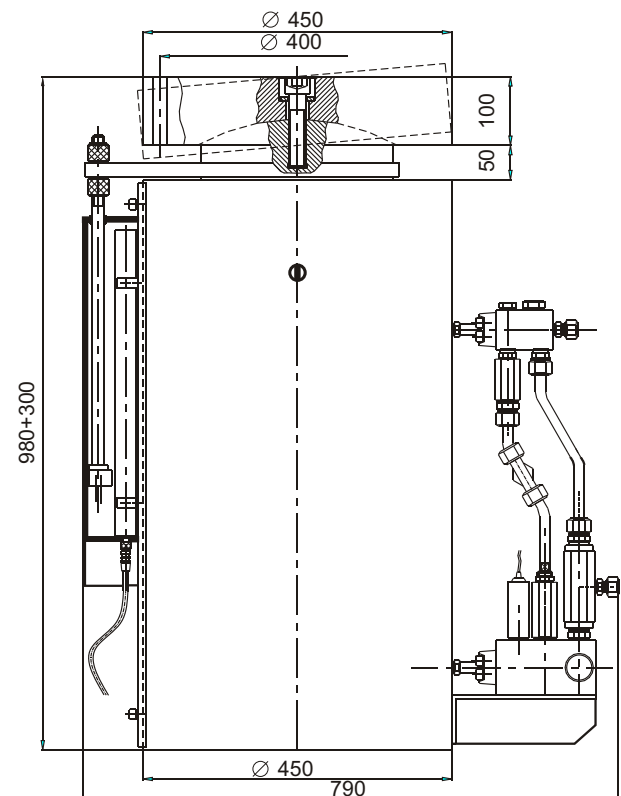
- Working pressure: P=300 bar
- Maximum pressure: Pmax=630 bar
- Hydraulic oil: HIDO HV 22
- Ambient temperature: -20...+40 °C
- Direction of load: Z axis
- Power (P=300 bar): 3053KN (Lifting UP)
- Power (P=100 bar): 400KN (Lifting DOWN)
- Maximum displacement: 0...300 mm
- Displacement sensor: 0 ... 350 mm
- Pressure sensor: 0 ... 600 bar
- Hydraulic connection: M22x1.5
- Dimensions: 790 x 450 x 980
- Weight: 1000 Kg



SIMBOL:



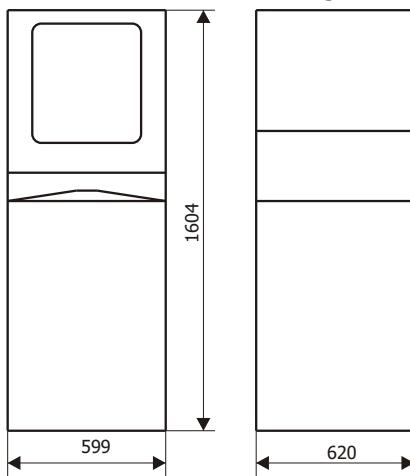
C#



Address - Delta Electronics  
Svetog Save BB, Pbox 81  
37240 Trstenik, Serbia  
Ph / fax - + 381 37 715 422  
Ph - + 381 37 715 423  
Email - office@deltael.com  
Director - Strahinja Golubović  
Web - www.deltael.com

# Control Unit DE50.CP16

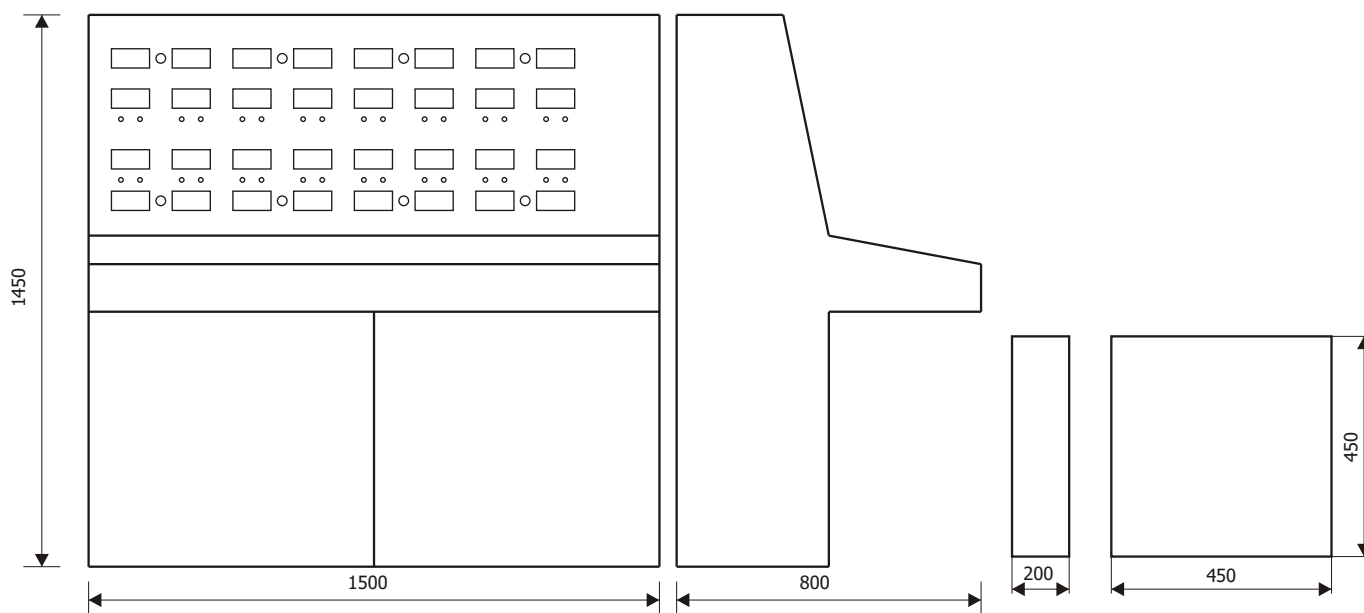
- Software: LIFTING PRO Delta electronics SCADA OMRON CX SUPERVISOR
- PLC Control: CPU Unit CJ1M - CPU13 - OMRON  
16 x analog input - CJ1W - AD 081  
32 x digital output - CJ1W - OD 212  
16 x digital input - CJ1W - ID 211
- Power supply voltage: 220VAC, 50Hz, 10%
- Ground resistance: <0.5
- Insulation resistance: > 20 M
- Ambient temperature: -20...+40 °C
- PC computer: CPU - Intel Celeron 4, RAM - DDR 256Mb  
Monitor 19", printer HP Laser Jet 1010
- PC enclosure: PC enclosure RITTAL, with drawer for keyboard  
enclosure heaters 300W incl. fan.
- Automatic mod: adjusting zero pint  
automatic lifting cylinders  
monitoring lifting process  
adjusting end lifting point
- Alarms: displacement sensor disconnection  
pressure sensor disconnection  
agregat error  
displacement band error
- Dimensions: 1604 x 620 x 599
- Weight: 150 Kg



Development process of SCADA and PLC Software

# Electrical Power Unit DE50.EO

- Power voltage supply: 3 x 380 VAC, 50 Hz
- Power: 110 kW (16 Channels)
- Ambient temperature: -20...+40 °C
- Connections: 75 NA 32A, 3P+N+G, IP45, CCE17, JUS N.E3.605 (8pcs)  
PCE 035 63A, 3P+N+G, IP45, VDE0623, IEC309 (3pcs)  
20 pin signal connectors (5pcs+8pcs)
- Control part: 16 Chanel display (pressure per cylinder)  
16 Chanel display (displacement per cylinder)  
Automatic lifting mod control  
Half automatic lifting mod (0s - 30s - 600s) control  
Hand lifting mod control  
Hand lifting mod ALL UP or DOWN button  
Adjusting absolute and relative point of lifting  
Panic button
- Dimensions: 1450 x 800 x 1500 / 450 x 450 x 200
- Weight: 180 Kg / 15 Kg



Address - Delta Electronics  
Svetog Save BB, Pbox 81  
37240 Trstenik, Serbia  
Ph / fax - + 381 37 715 422  
Ph - + 381 37 715 423  
Email - office@deltael.com  
Director - Strahinja Golubović  
Web - www.deltael.com